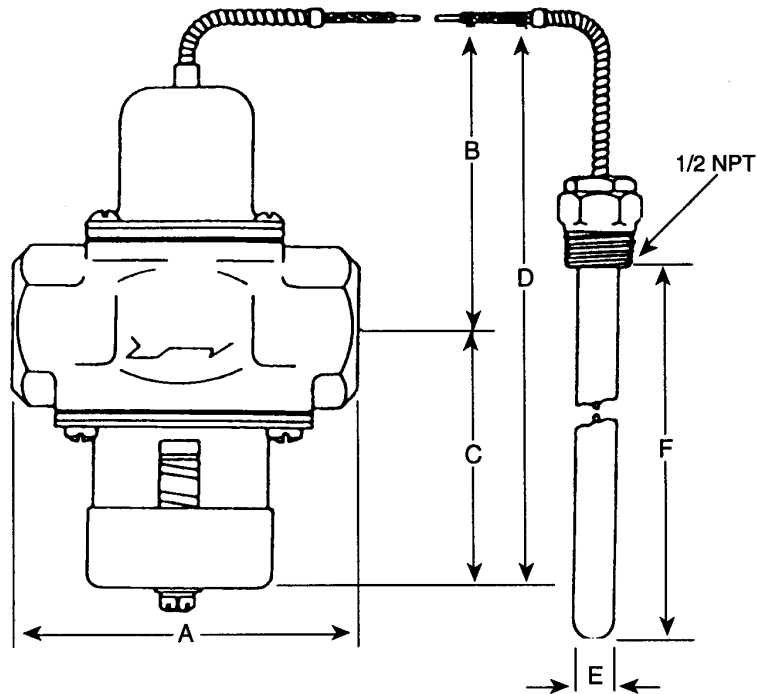


SPECIFICATION PRINT

56T Temperature Actuated Water Regulating Valve



DIMENSIONS

	1/2"	3/4"	1"	1-1/4"
A	3-3/32"	3-3/8"	4-3/4"	5-1/4"
B	3-11/32"	4-1/16"	4-3/16"	4-3/16"
C	3-1/32"	3-1/4"	3-27/32"	3-27/32"
D	6-3/8"	7-5/16"	8-1/16"	8-1/16"
E	5/8"	5/8"	5/8"	5/8"
F	3-1/4"	3-1/4"	3-1/4"	6-3/4"
WIDTH	2-1/8"	2-1/8"	2-3/4"	2-3/4"
NET WEIGHT	2 lb. 6 oz.	3 lb. 6 oz.	6 lb. 2 oz.	7 lbs.

SPECIFICATIONS:

- Adjustable temperature range 100°F to 175°F
- Fluid pressure up to 125 PSI
- Sizes 1/2", 3/4", 1", 1-1/4"
- Brass alloy construction
- Heavy duty, direct acting bellows
- Buna-N seat disk
- Stainless steel seat beads
- 6' Copper capillary



Penn Separator Corp.

P.O. Box 340, Brookville, PA 15825

56T Water Regulating Valve

ARS 10/10/07

A 26173-1